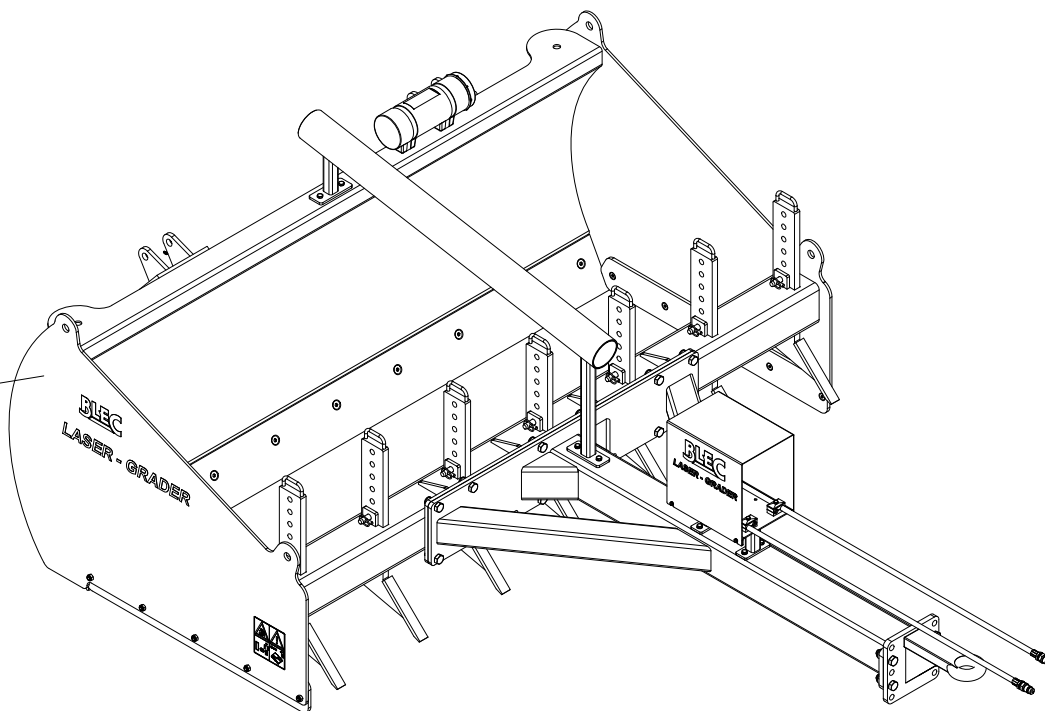


# Parts manual

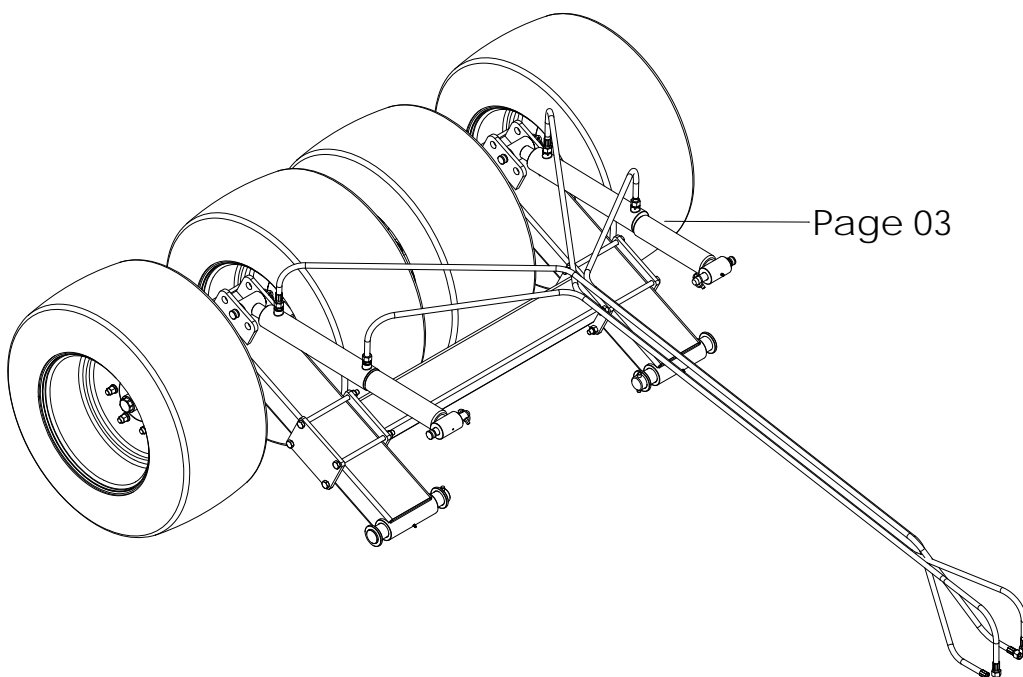




Page 02



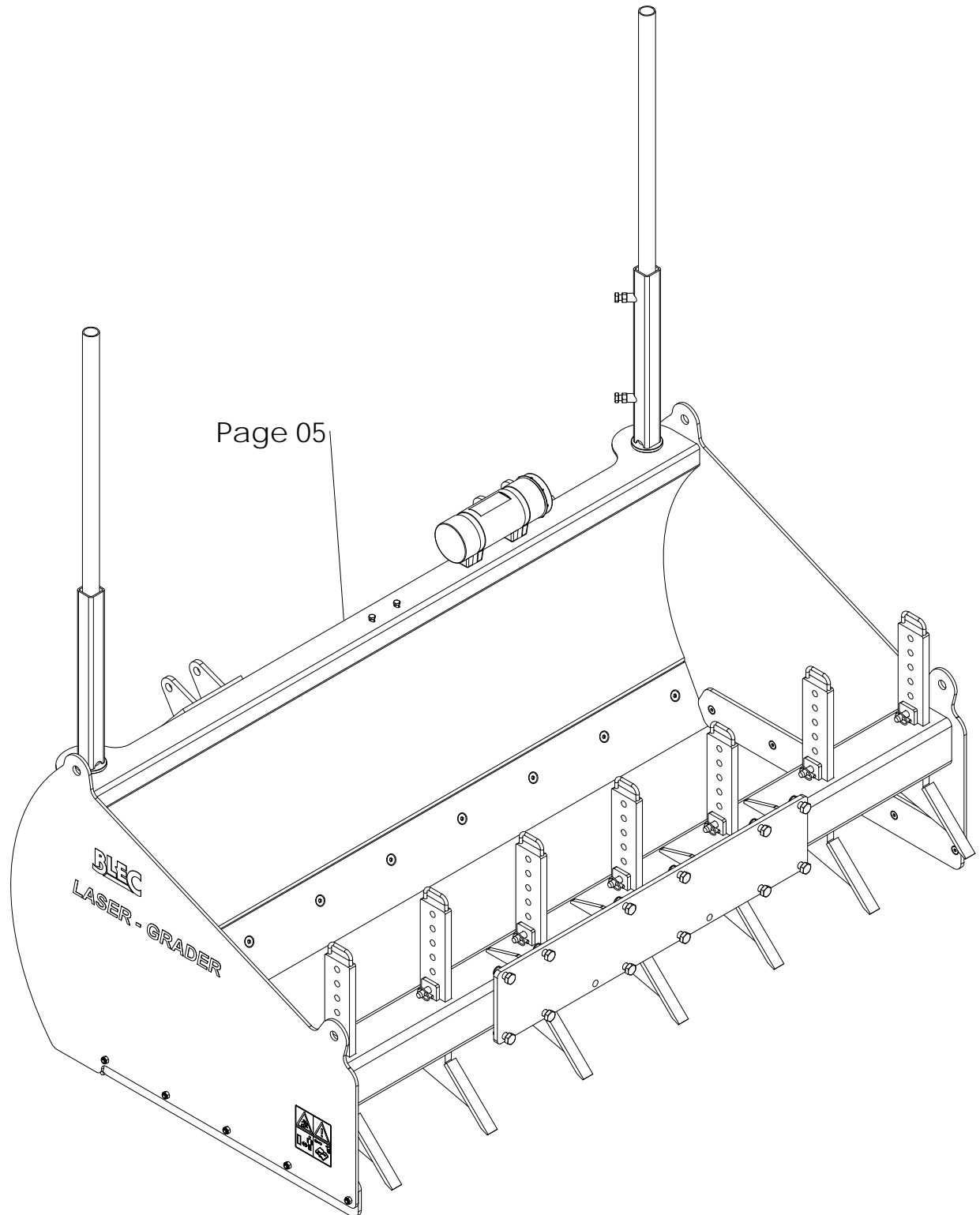
Page 03

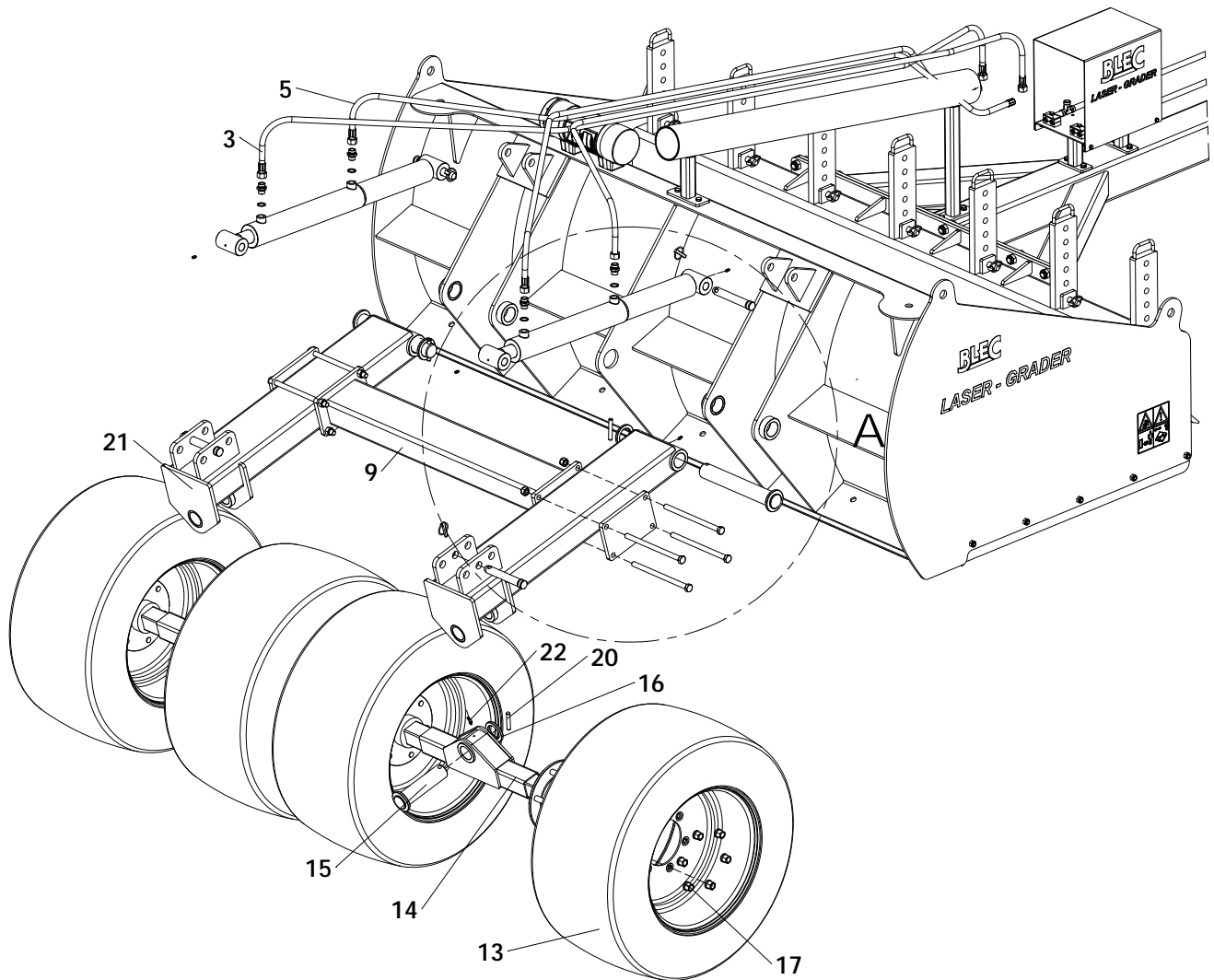
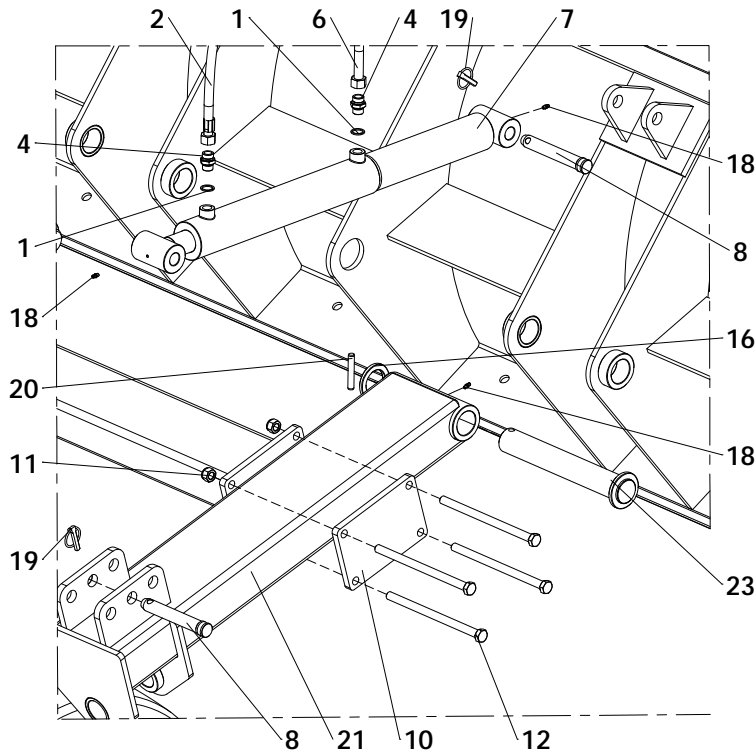
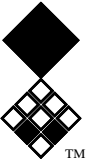


Hydraulic scheme: page 04

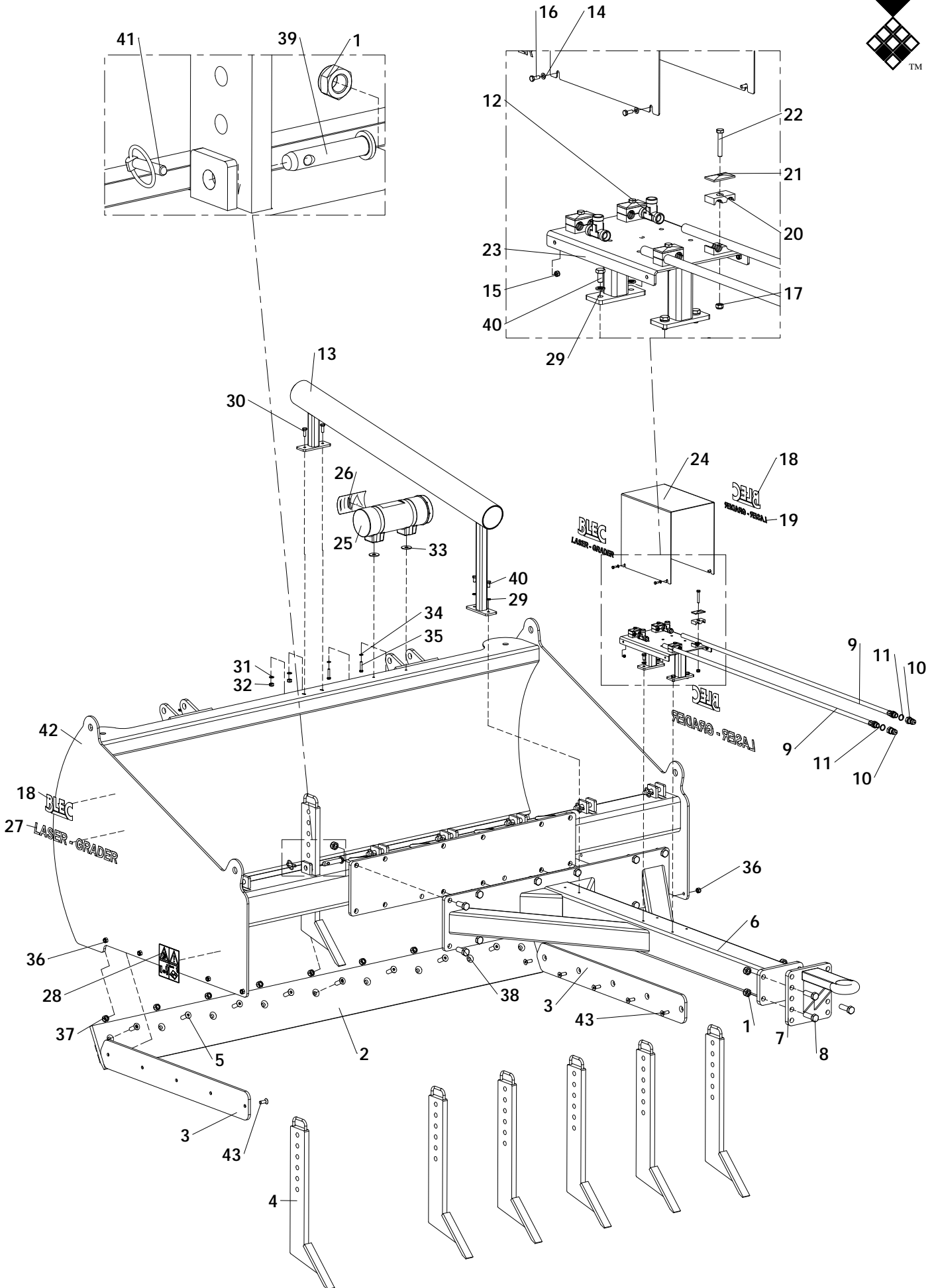
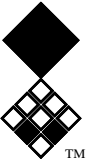


Laser Grader 2400 Laser pole kit  
Kit number: 292.240.002 for a single pole

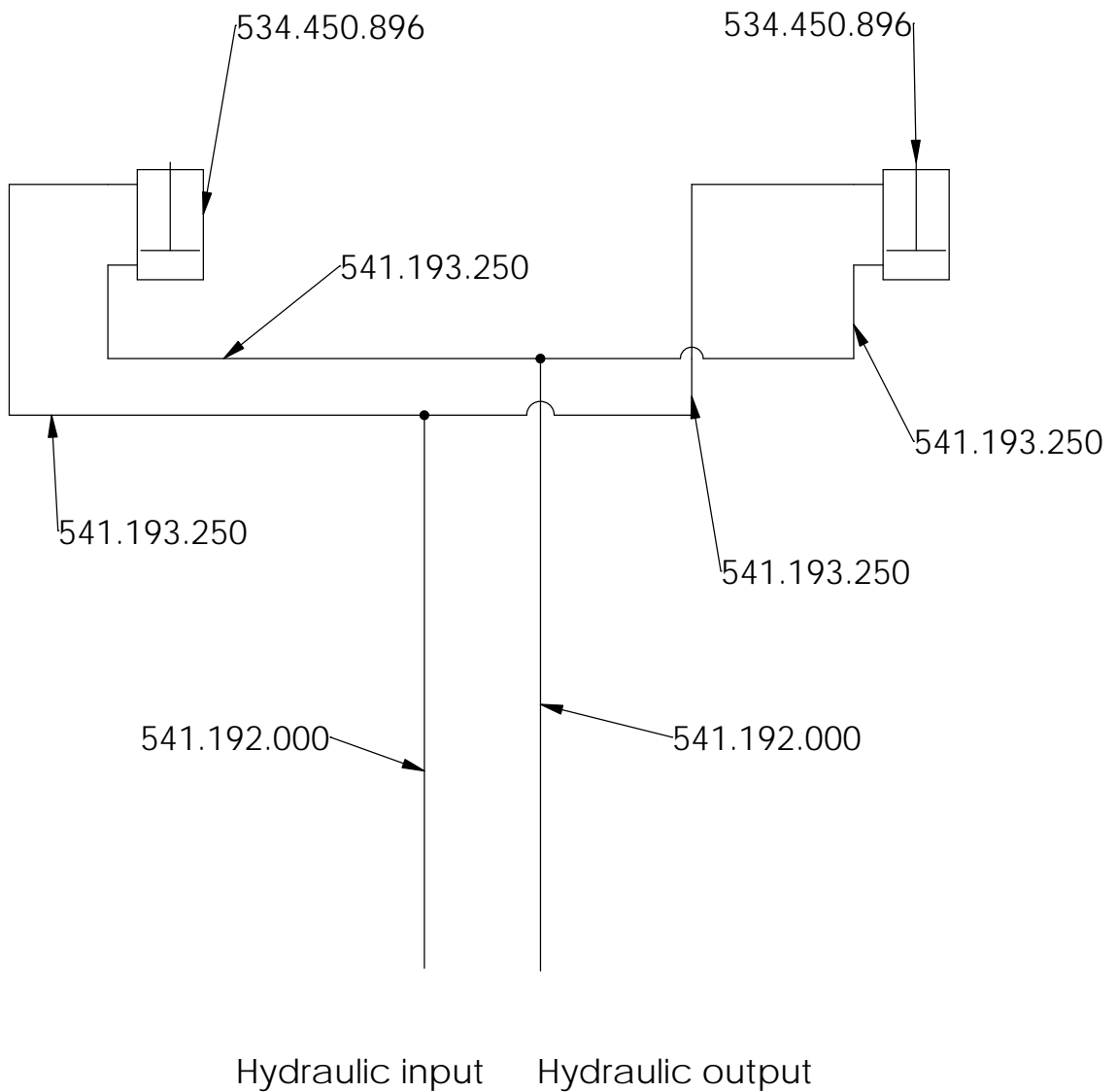




ITEM	PART NUMBER	DESCRIPTION	REMARKS	QUA
1	874.210.020	Copper washer 1_2		4
2	541.193.250	Hose NSK13-1/2" TL=3250 2xPGLO1322		1
3	541.193.250	Hose NSK13-1/2" TL=3250 2xPGLO1322		1
4	544.210.150	Nipple BSP 1_2" x pipe 15 (M22)		4
5	541.193.250	Hose NSK13-1/2" TL=3250 2xPGLO1322		1
6	541.193.250	Hose NSK13-1/2" TL=3250 2xPGLO1322		1
7	534.450.896	Hydraulic wheel cylinder		2
8	522.251.420	Top Link Pin Ø25 L=142		4
9	462.150.910	Link tube		1
10	468.152.200	Lock plate		2
11	830.160.160	Self Lock Nut M16 - ISO 10511		8
12	802.162.600	Bolt M16 x 260 - ISO 4014		8
13	511.875.410	Wheel complete 400/60-15.5		4
14	519.600.740	Axle		2
15	474.502.050	Pivot pin		2
16	402.510.080	Washer		4
17	844.180.250	Wheel Nut M18		24
18	880.060.100	Grease nipple M6 DIN 71412A		6
19	523.100.570	Linch Pin d10		4
20	876.120.750	Parallel Pin 12x75		4
21	494.102.024	Axle frame		2
22	880.060.104	Grease nipple M6 45deg. DIN 71412B		2
23	474.503.440	Pivot pin axle		2

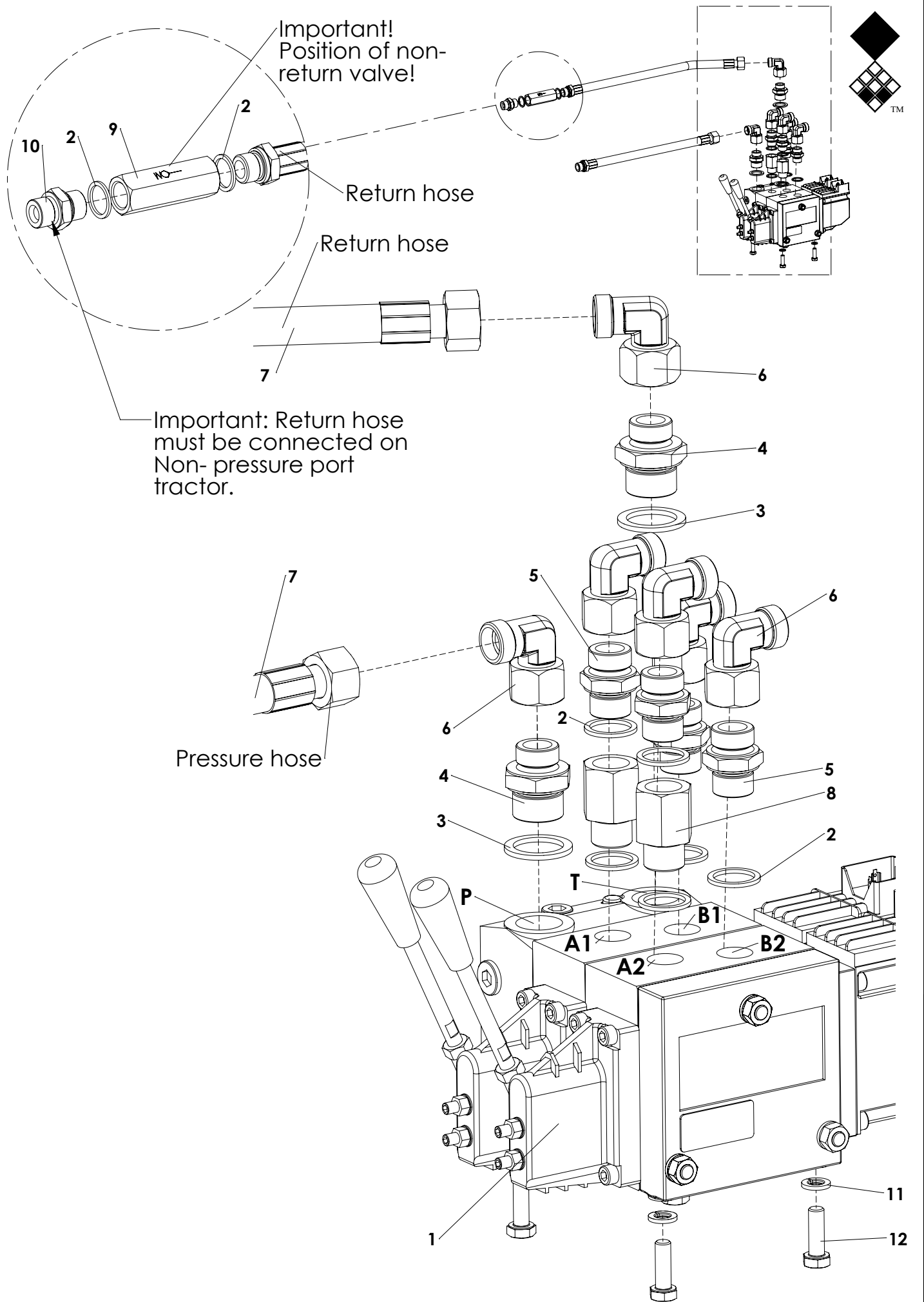


ITEM	PART NUMBER	DESCRIPTION	REMARKS	QUA
1	830.200.200	Self Lock Nut M20 Din 985 h=17		16
2	468.209.240	Blade		1
3	468.129.100	Side blade		2
4	391.725.704	Ripping tine		7
5	816.160.500	Bolt M16 x 50 - DIN 7991		9
6	462.250.916	Drawbar		1
7	484.335.250	Towing hook		1
8	802.200.650	Bolt M20 x 65 - ISO 4014		4
9	541.192.000	Hose NSK13-1/2" TL=2000 1xPGLO1322 + 1x PN138		2
10	545.210.800	Quick connector male 1/2"		2
11	874.210.020	Copper washer 1_2		2
12	544.154.150	T-Connector 15x15x15		2
13	462.745.914	Hose tube		1
14	864.060.030	Washer M6 - ISO 7089		4
15	830.060.060	Self Lock Nut M6 - ISO 10511		4
16	804.060.160	Bolt M6 x 16 - ISO 4017		4
17	830.080.080	Self Lock Nut M8 - ISO 10511		4
18	900.260.500	Decall Blec		4
19	992.260.500	Label Laser-Grader		2
20	547.180.180	Hose clamp double 18mm		8
21	547.300.510	Cover plate hose clamp 2x15 - 2x18		4
22	802.080.500	Bolt M8 x 50 - ISO 4014		4
23	470.043.420	Hydraulic support		1
24	456.350.244	Top cover		1
25	444.803.100	Toolbox Complete		1
26	900.280.402	Safety decall manual		1
27	992.260.502	Label Laser-Grader Large		2
28	933.280.402	Safety decall		2
29	866.100.020	Spring Washer M10 - DIN 127		6
30	804.100.300	Bolt M10 x 30 - ISO 4017		2
31	864.100.030	Washer M10 - ISO 7089		2
32	830.100.100	Self Lock Nut M10 - ISO 10511		2
33	864.140.031	Large washer M14 - DIN 9021		2
34	866.080.020	Spring Washer M8 - DIN 127		2
35	804.080.400	Bolt M8 x 40 - ISO 4017		2
36	830.120.120	Self Lock Nut M12 - ISO 10511		10
37	830.160.160	Self Lock Nut M16 - ISO 10511		9
38	802.200.500	Bolt M20 x 50 - ISO 4017		12
39	521.190.900	3-Point Pin		7
40	804.100.200	Bolt M10 x 20 - ISO 4017		6
41	523.100.570	Linch Pin d10		9
42	494.144.246	Frame Laser-Grader 2400		1
43	816.120.350	Bolt M12 x 35- DIN 7991		10

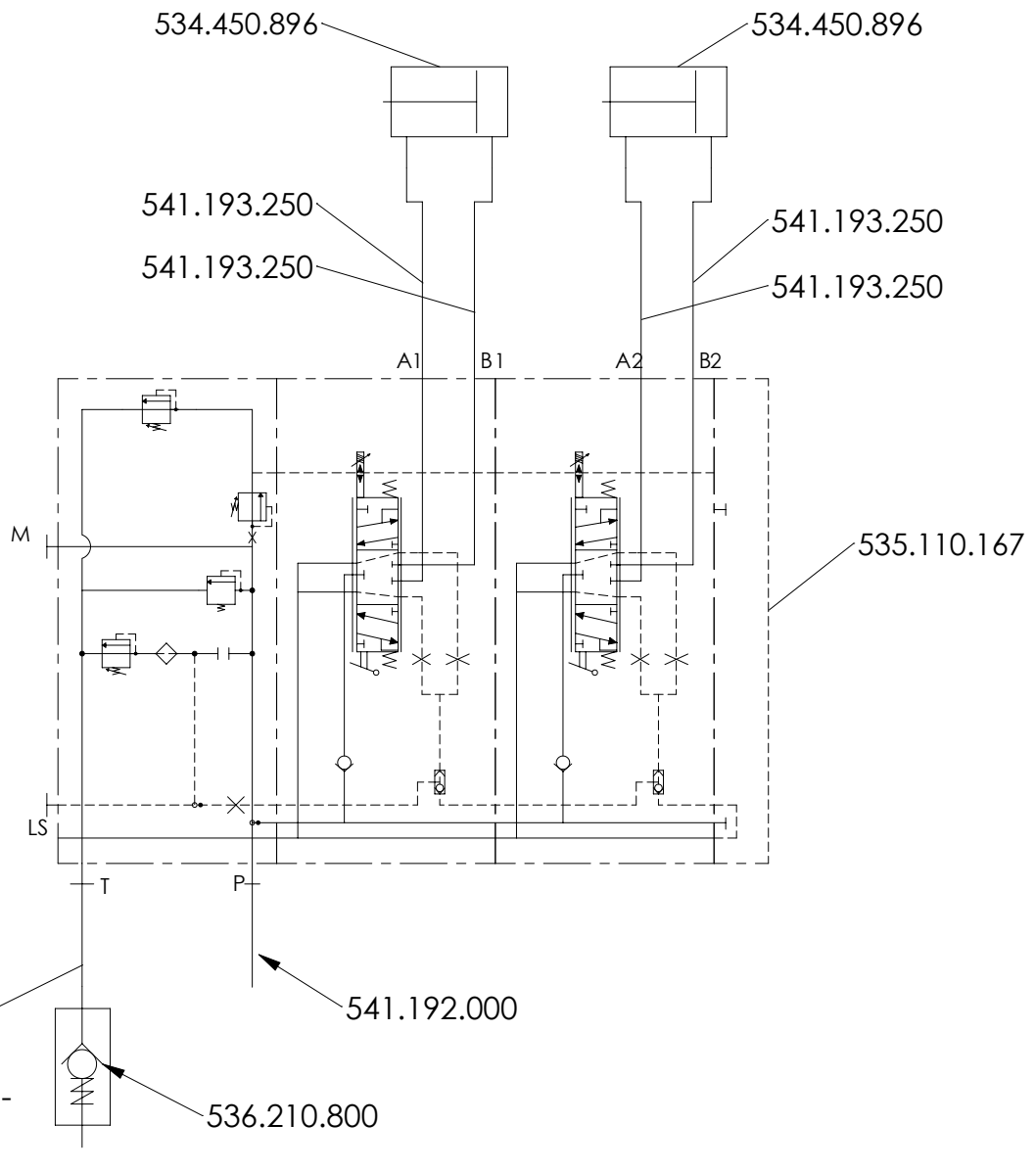


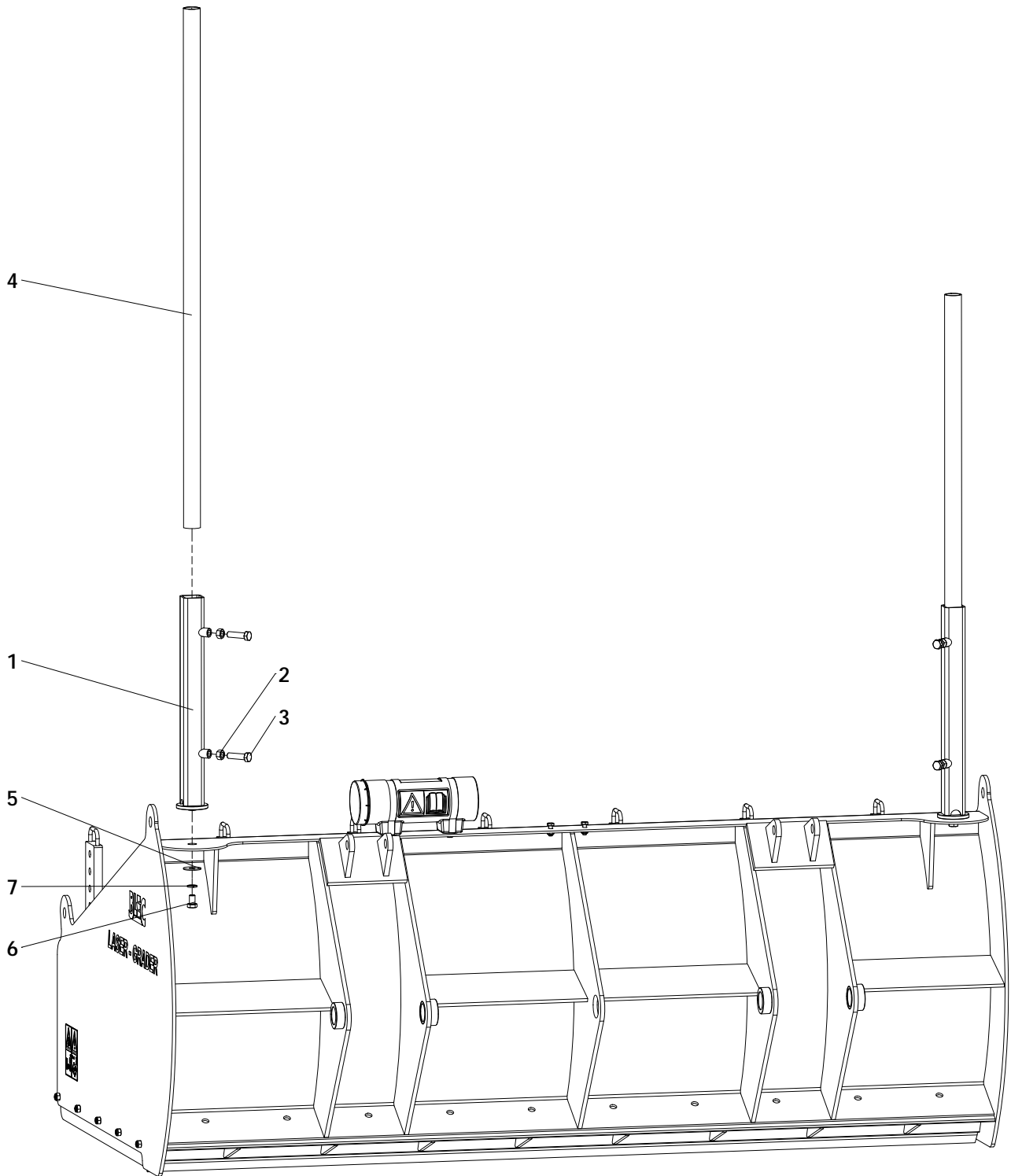
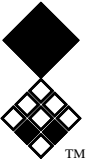






ITEM	PART NUMBER	DESCRIPTION	REMARKS	QUA
1	535.110.167	PVG32 Valve 2 sections		1
2	874.210.020	Copper washer 1_2		8
3	874.260.020	Copper washer 3/4"		2
4	544.260.222	Nipple pipe 3_4"x pipe 15 (M22)		2
5	544.210.150	Nipple BSP 1_2" x pipe 15 (M22)		4
6	544.151.150	L-Connector PM. Pipe 15-M22		6
7	541.192.000	Hose NSK13-1/2" TL=2500 PGLO1322 PN138		2
8	544.215.310	Extension nipple G1/2"xG1/2" L=28mm		2
9	536.210.800	SL Non-Return Valve 1/2", 0.5 bar		1
10	543.210.210	Nipple BSP 1_2" x 1_2" 60deg		1
11	866.080.020	Spring Washer M8 - DIN 127		4
12	804.080.250	Bolt M8 x 25 - ISO 4017		4





ITEM	PART NUMBER	DESCRIPTION	REMARKS	QUA
1	462.906.160	Pole base		1
2	826.160.160	Nut M16 - DIN 934		2
3	804.160.600	Bolt M16 x 60 - ISO 4017		2
4	476.489.150	Pole		1
5	864.160.031	Large washer M16 - DIN 9021		1
6	804.160.250	Bolt M16 x 25 - ISO 4017		1
7	866.160.020	Spring Washer M16 - DIN 127		1
	292.240.002	Laser pole kit	Kit number is for 1 pole	