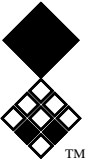


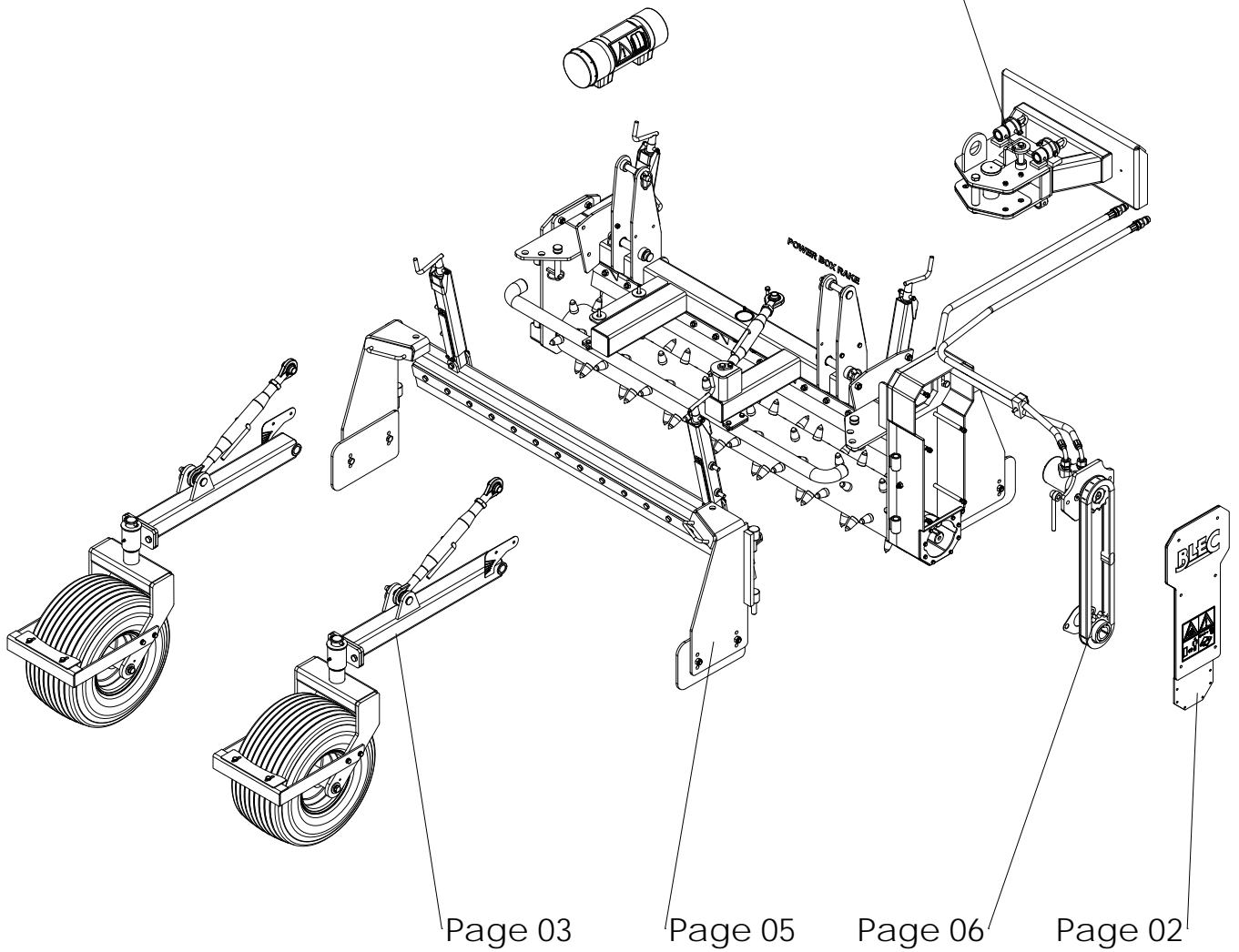
Parts manual





TM

Page 04

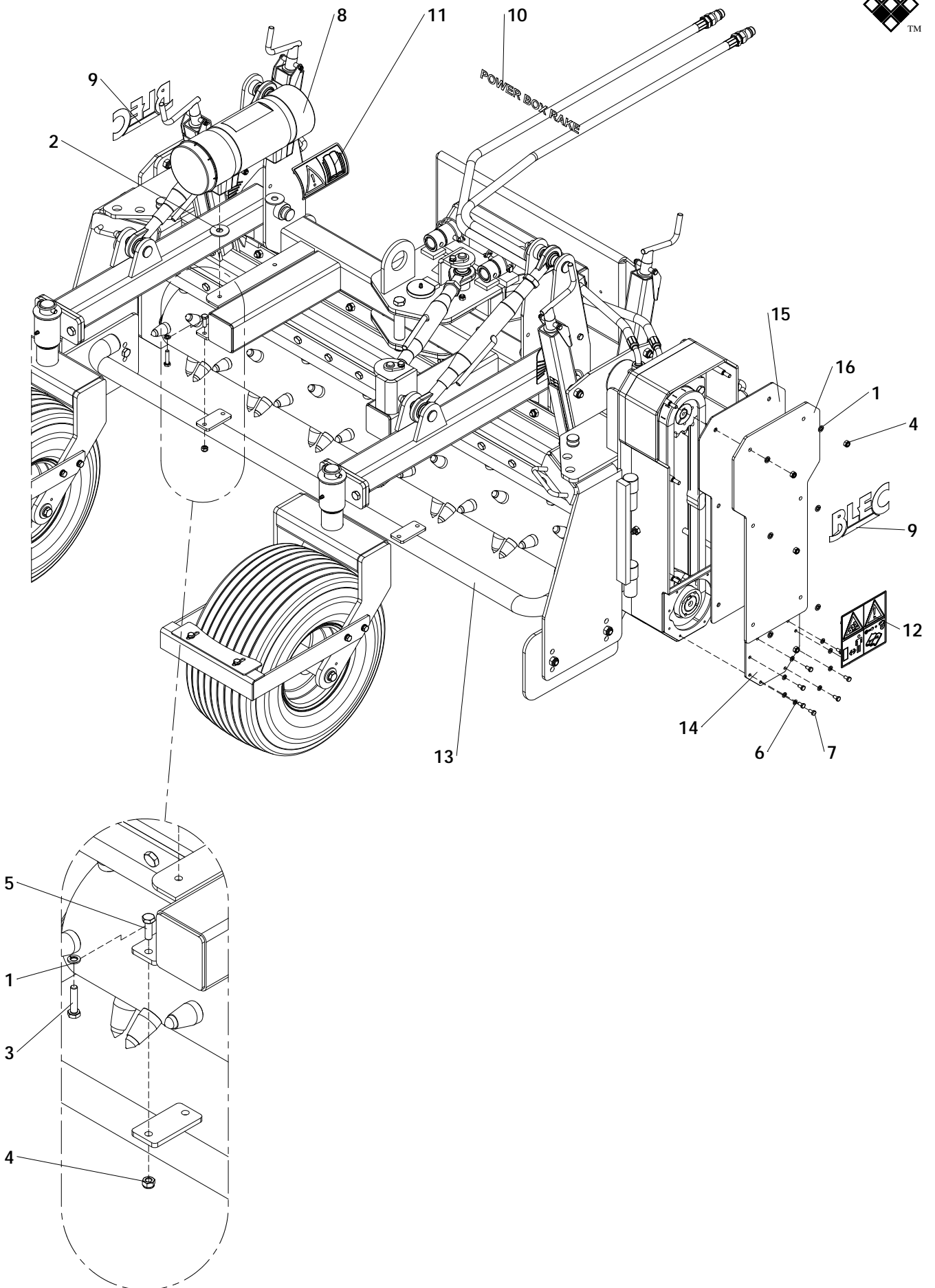
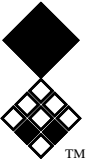


Page 03

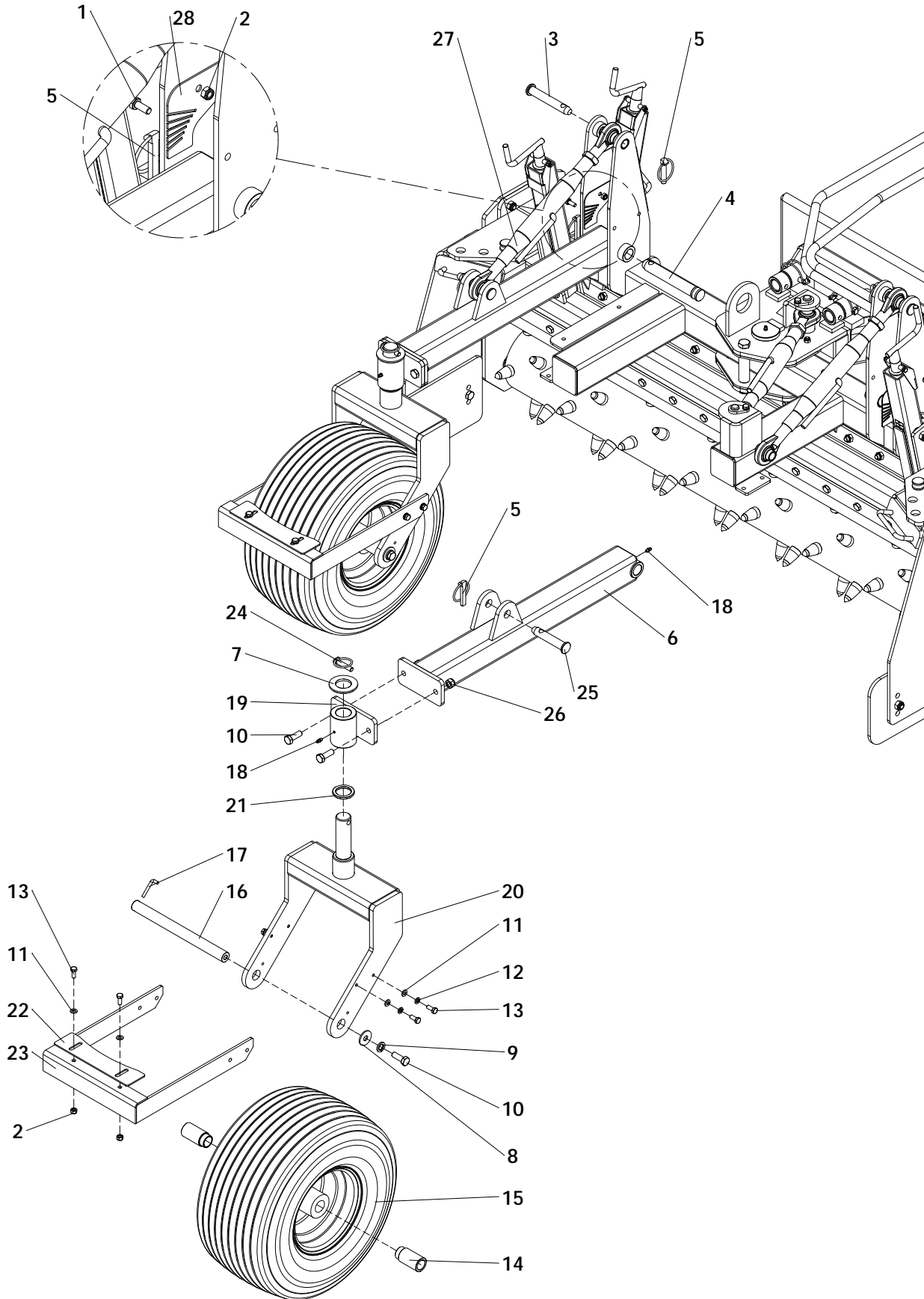
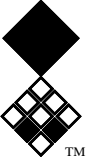
Page 05

Page 06

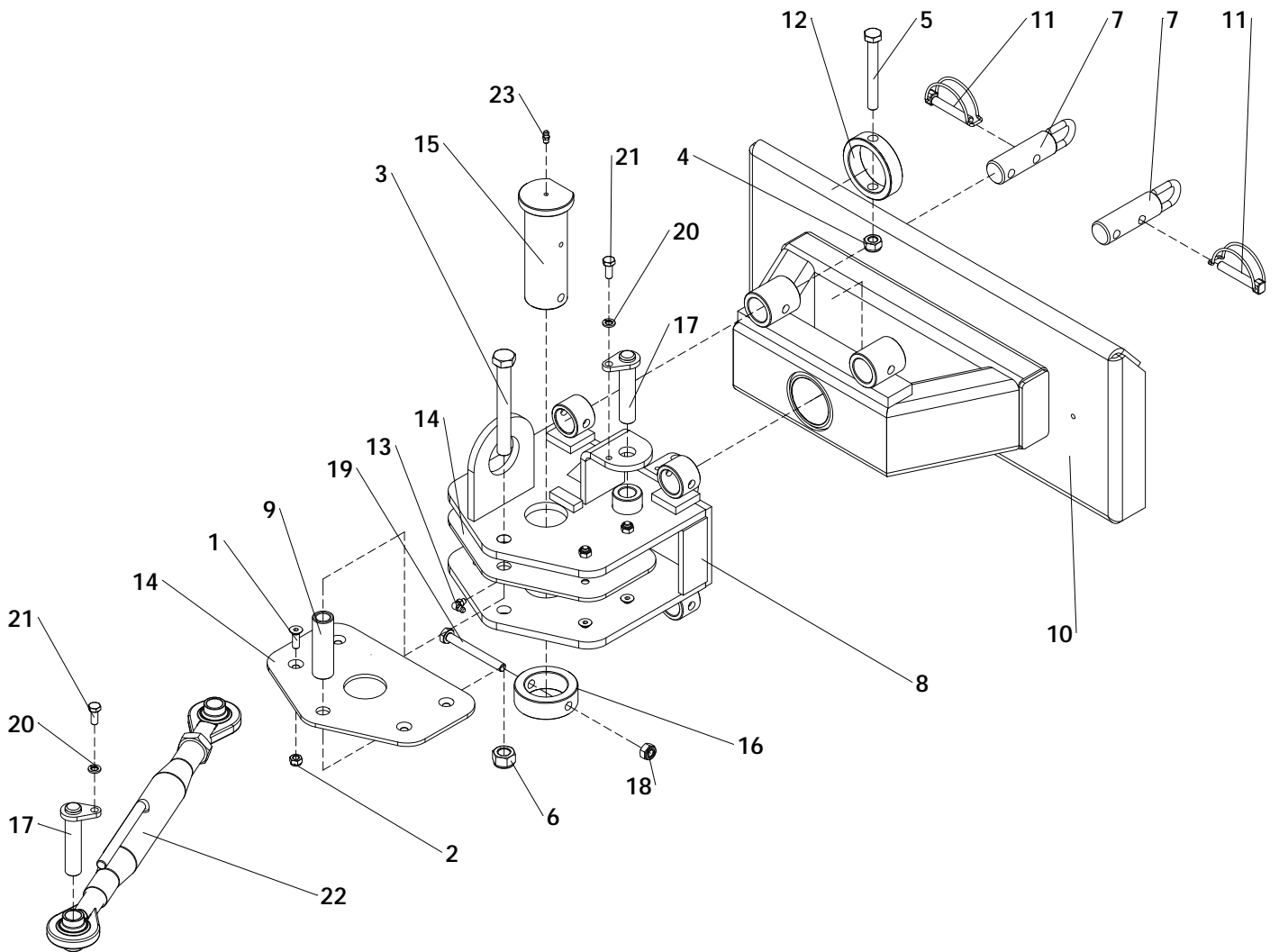
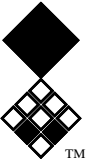
Page 02



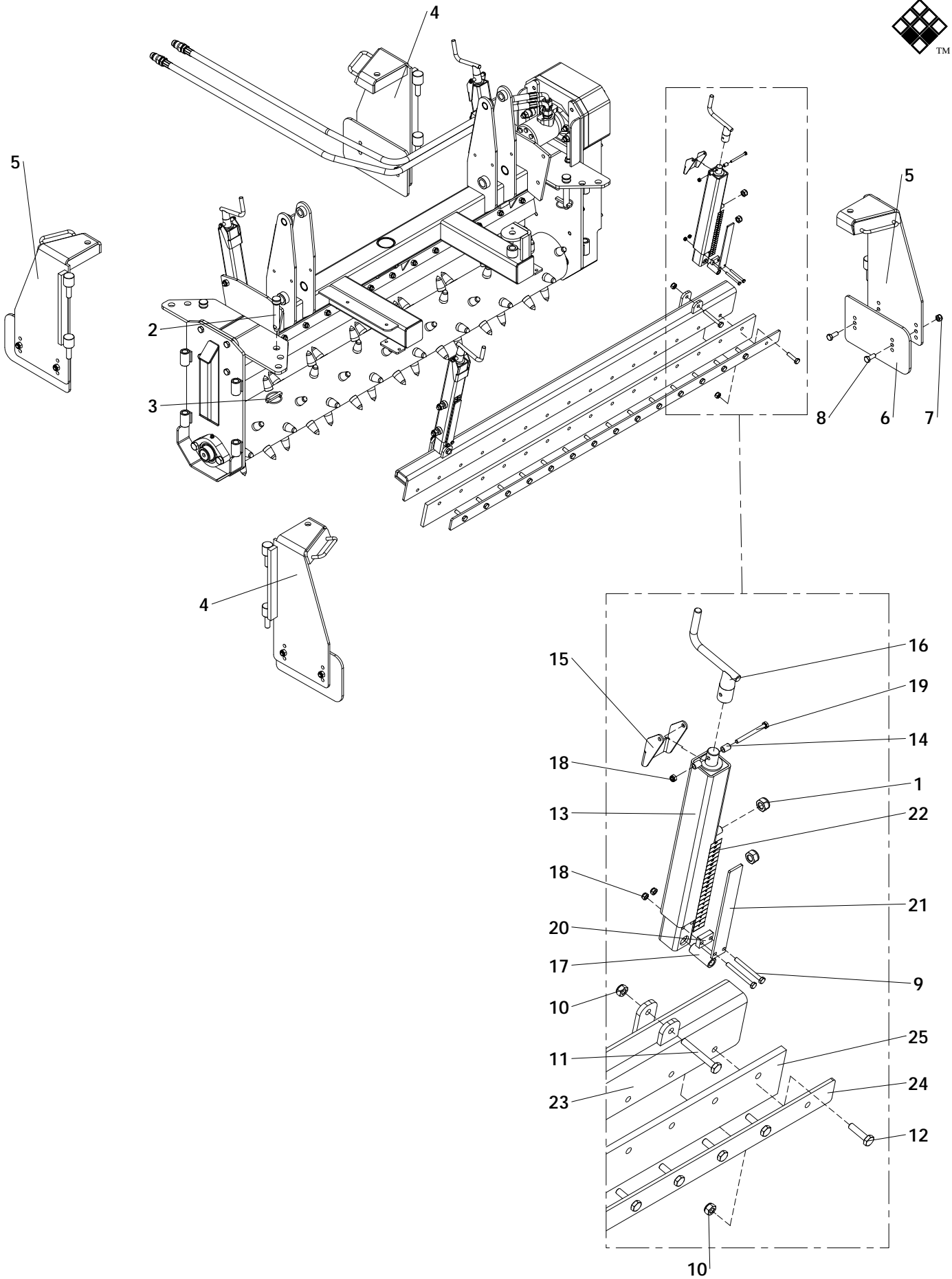
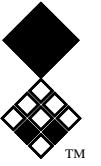
ITEM	PART NUMBER	DESCRIPTION	REMARKS	QUA
1	866.080.020	Spring Washer M8 - DIN 127		8
2	864.140.031	Large washer M14 - DIN 9021		2
3	804.080.350	Bolt M8 x 35 - ISO 4017		2
4	830.080.080	Self Lock Nut M8 - ISO 10511		10
5	804.080.250	Bolt M8 x 25 - ISO 4017		4
6	866.060.020	Spring Washer M6 - DIN 127		8
7	804.060.120	Bolt M6 x 12 - ISO 4017		8
8	444.803.100	Toolbox Complete		1
9	900.260.500	Decall Blec		2
10	952.260.418	Label Power Box Rake		1
11	900.280.402	Safety decall manual		1
12	921.280.402	Safety decall VS		1
13	478.489.140	Safety bracket		1
14	456.015.018	Cover		1
15	446.035.850	Rubber seal		1
16	456.059.027	Side cover		1



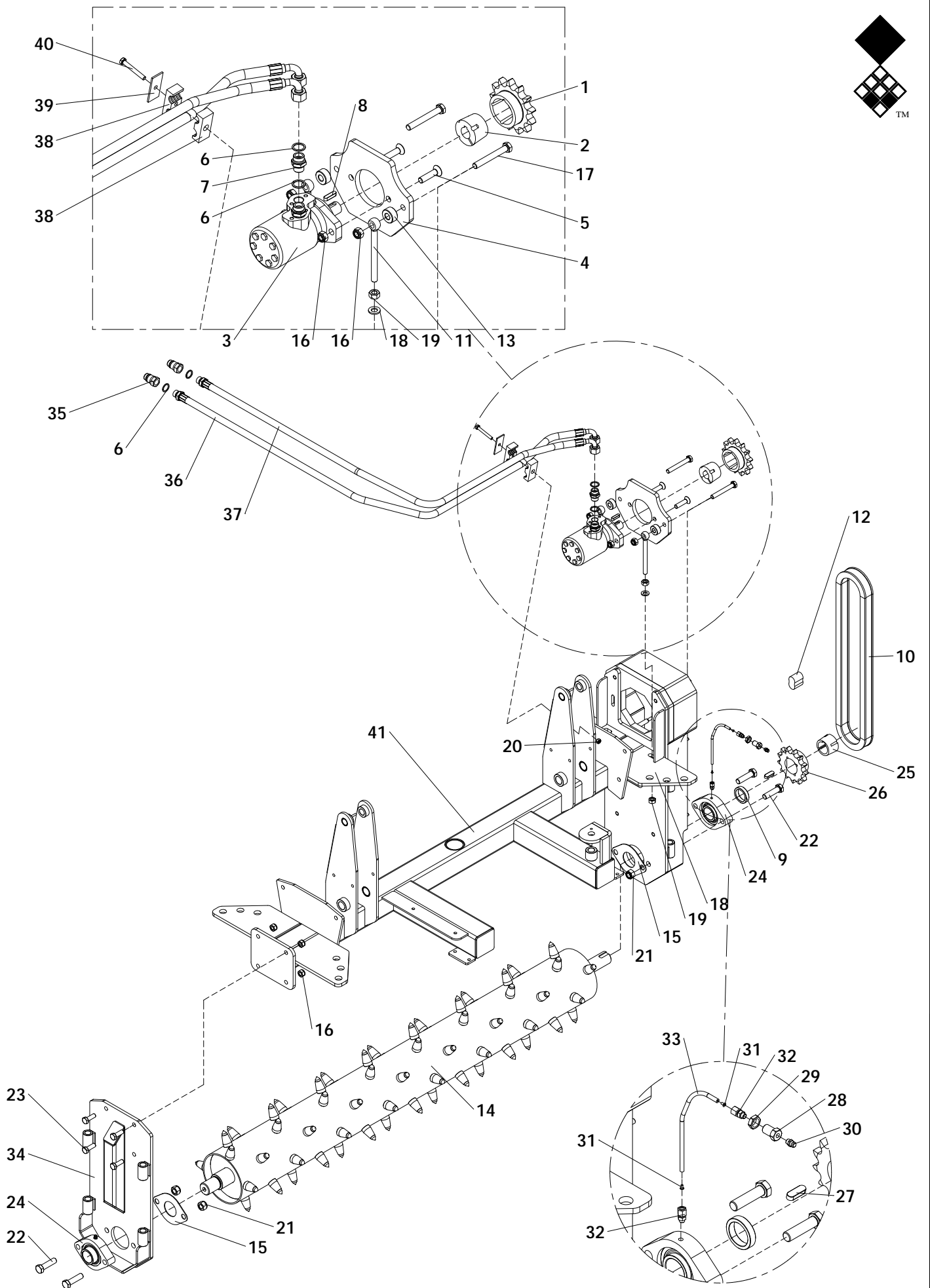
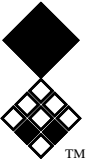
ITEM	PART NUMBER	DESCRIPTION	REMARKS	QUA
1	804.080.200	Bolt M8 x 20 - ISO 4017		4
2	830.080.080	Self Lock Nut M8 - ISO 10511		8
3	521.191.300	Top Link Pin Ø19 L=105		2
4	522.251.420	Top Link Pin Ø25 L=142		2
5	523.120.650	Linch Pin D12		6
6	462.140.670	Wheel support		2
7	864.360.050	Washer M36 - ISO 7089		2
8	864.120.031	Large washer M12 - DIN 9021		2
9	866.140.020	Spring Washer M14 - DIN 127		2
10	804.120.350	Bolt M12 x 35 - ISO 4017		6
11	864.080.030	Washer M8 - ISO 7089		12
12	866.080.020	Spring Washer M8 - DIN 127		8
13	804.080.200	Bolt M8 x 20 - ISO 4017		12
14	404.250.700	Distance Bush Wheel		4
15	511.542.236	Wheel Complete		2
16	416.252.940	Wheel Shaft		2
17	424.060.480	Lock pin		2
18	880.060.100	Grease nipple M6 DIN 71412A		4
19	474.601.400	Pivot frame		2
20	470.122.880	Wheel frame		2
21	444.050.500	Spacer		2
22	468.032.400	Scraper		2
23	470.063.000	Scraper frame		2
24	523.100.570	Linch Pin d10		2
25	521.190.740	Top Link Pin Ø19 L=74		2
26	830.120.120	Self Lock Nut M12 - ISO 10511		4
27	522.194.200	Toplink Cat. 1 L0=420 Stroke=220 M24x3		2
28	469.021.500	Height indicator		2



ITEM	PART NUMBER	DESCRIPTION	REMARKS	QUA
1	816.080.250	Bolt M8x25 DIN 7991		8
2	830.080.080	Self Lock Nut M8 - ISO 10511		8
3	802.161.300	Bolt M16 x 130 - ISO 4014		1
4	830.120.120	Self Lock Nut M12 - ISO 10511		1
5	802.121.000	Bolt M12 x 100 - ISO 4014		1
6	830.160.160	Self Lock Nut M16 - ISO 10511		1
7	474.301.280	Lock pin		2
8	470.103.220	Pivot frame		1
9	406.160.820	Bush		1
10	462.260.550	Attachment frame		1
11	523.100.700	Pipe linch pin Ø10		2
12	412.600.200	Lock ring		1
13	880.060.102	Grease nipple M6 90deg		1
14	444.052.502	Slide plate		2
15	418.501.400	Pin		1
16	412.500.250	Lock ring		1
17	474.190.950	Lock pin		2
18	830.100.100	Self Lock Nut M10 - ISO 10511		1
19	802.100.900	Bolt M10 x 90 - ISO 4014		1
20	866.080.020	Spring Washer M8 - DIN 127		2
21	804.080.200	Bolt M8 x 20 - ISO 4017		2
22	522.194.200	Toplink Cat. 1 L0=420 Stroke=220 M24x3		1
23	880.060.100	Grease nipple M6 DIN 71412A		1



ITEM	PART NUMBER	DESCRIPTION	REMARKS	QUA
1	830.120.120	Self Lock Nut M12 - ISO 10511		8
2	521.190.920	Top Link Pin Ø19 L=92		4
3	523.120.650	Linch Pin D12		4
4	470.084.940	Right guide		2
5	470.084.942	Left guide		2
6	468.063.300	Blade		4
7	830.120.120	Self Lock Nut M12 - ISO 10511		8
8	804.120.300	Bolt M12 x 30 - ISO 4017		8
9	802.060.600	Bolt M6 x 60 - ISO 4014		8
10	830.100.100	Self Lock Nut M10 - ISO 10511		34
11	802.100.750	Bolt M10 x 75 - ISO 4014		4
12	804.100.400	Bolt M10 x 40 - ISO 4017		30
13	460.504.234	Weldment spindle		4
14	402.070.140	Distance Bush		8
15	468.031.180	Lock Plate		4
16	474.251.162	Lever Jack		4
17	402.110.450	Bush Ø18/Ø11 L=45		4
18	830.060.060	Self Lock Nut M6 - ISO 10511		12
19	802.060.650	Bolt M6 x 65 - ISO 4014		4
20	464.080.300	Distance Block		4
21	464.042.002	Height indicator strip		4
22	900.260.414	Decall Ruler		4
23	470.069.150	Guide frame		2
24	468.069.154	Lock plate		2
25	446.129.150	Rubber plate		2



ITEM	PART NUMBER	DESCRIPTION	REMARKS	QUA
1	635.041.180	Sprocket 1"(16B) Simplex Z=13 Taperlock		1
2	648.251.615	Taperlock 1615 - 25mm		1
3	532.251.600	Hydraulic motor OMP 250		1
4	468.122.650	Motor plate		1
5	816.120.500	Bolt M12 x 50 - DIN 7991		2
6	874.210.020	Copper washer 1_2		6
7	544.210.150	Nipple BSP 1_2" x pipe 15 (M22)		2
8	884.080.320	Key 8x7x32 - DIN 6885		1
9	406.400.120	Distance bush Ø52/Ø40 L=11.5		1
10	631.041.343	Chain 1" L=1371		1
11	822.121.400	Eye Bolt M12x140 DIN 444LB (full thread)		2
12	638.040.250	Chain connector 1" Simplex		1
13	402.130.154	Spacer		2
14	488.236.168	Rotor PBR150HH		1
15	468.021.440	Bearing cover		2
16	830.120.120	Self Lock Nut M12 - ISO 10511		8
17	802.120.900	Bolt M12 x 90 - ISO 4014		2
18	864.120.030	Washer M12 - ISO 7089		4
19	826.120.120	Nut M12 - DIN 934		4
20	830.080.080	Self Lock Nut M8 - ISO 10511		1
21	830.160.160	Self Lock Nut M16 - ISO 10511		4
22	802.160.600	Bolt M16 x 60 - ISO 4014		4
23	804.120.350	Bolt M12 x 35 - ISO 4017		4
24	2471872	Front roller bearing		2
25	648.401.615	Taperlock 1615 - 40mm		1
26	635.041.180	Sprocket 1"(16B) Simplex Z=13 Taperlock		1
27	884.120.360	Key 12x8x36 - DIN 6885		1
28	596.140.270	Bulkhead coupling		1
29	844.140.060	Nut M14x1.5		1
30	880.080.100	Grease nipple M8 DIN 71412A		1
31	596.060.060	Connector		2
32	596.120.240	Grease nipple connector		2
33	596.062.000	Grease Hose L=200		1
34	462.260.523	Non drive support		1
35	545.210.800	Quick connector male 1/2"		2
36	541.212.500	Hose NSK13-1/2" TL=2500 PLGO132290 + PN138		1
37	541.212.500	Hose NSK13-1/2" TL=2500 PLGO132290 + PN138		1
38	547.200.200	Hose clamp 2x20		2
39	547.300.640	Cover plate hose clamp 2x22		1
40	802.080.600	Bolt M8 x 60 - ISO 4014		1
41	494.163.064	Frame PBR150HH		1